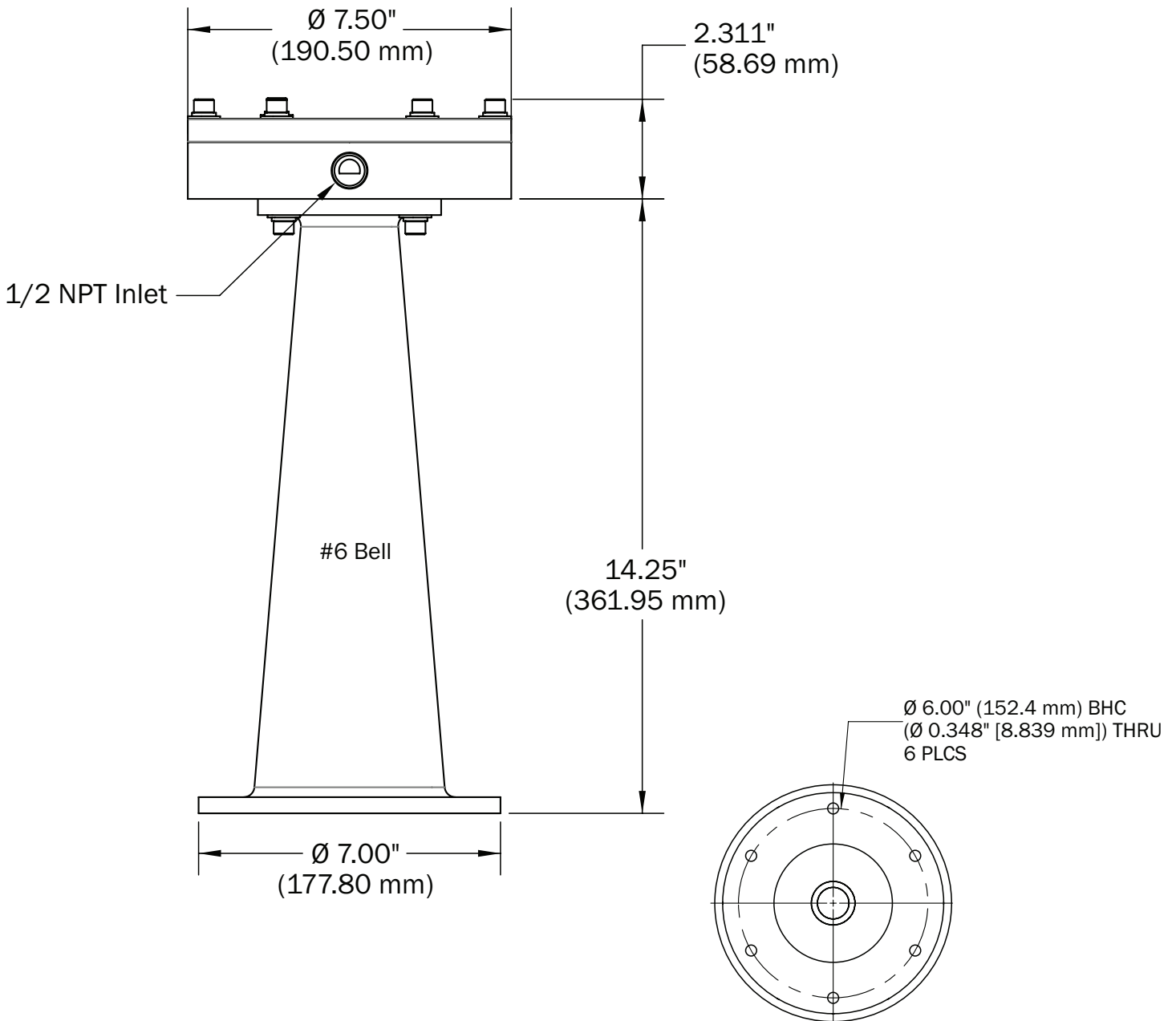


Model ACL 17220



Specifications subject to change without notice.



CONTROL
CONCEPTS USA

19 S. Main Street,
Brooklyn, CT 06234
Asia Office:
160 Robinson Road, #14-04
Singapore Business Federation
Centre Singapore 068914

E: Sales@ControlConceptsUSA.com
P: 860-928-6551 • F: 860-928-9450
www.AcoustiClean.com

